

# User Function Module

## [UFM]

- Connect External Instrumentation
- Support Custom Circuits
- Full Kelvin Sensing With Guard
- 2A Carry Current

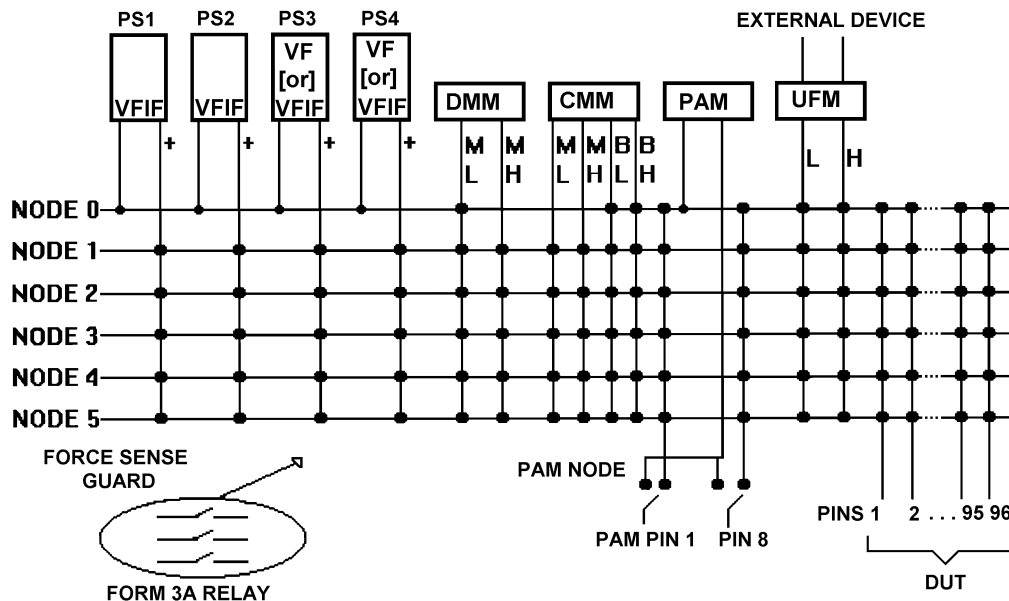
The user function module (UFM) provides a means of connecting external test instruments to the analog bus of Reedholm test systems. These instruments are generally controlled via their own IEEE-488 bus port. Each analog connection of UFM Hi and UFM Lo consists of a BNC twin-axial connector which allows a fully guarded Kelvin connection. Both the UFM Hi and UFM Lo may be programmed to connect to any of the six backplane nodes which comprise the analog bus. The UFM also contains the digital interface circuitry and memory to control the node connection switches.

Through customization, the UFM can be extended to connect a variety of circuit elements to the analog bus. Board mounted discrete devices are switched into the matrix to meet specific application needs.

### Specifications (18° ≤ T<sub>A</sub> ≤ 28°C)

Standoff Voltage	600V Max
Carry Current	2A Max
Series Resistance	200mΩ Max
Bandwidth	5MHz Typical
Switching Time	1ms

A variety of IEEE-488 instruments have been integrated for previous customers. These include multi-frequency capacitance meters, frequency counters, pulse generators and power supplies. Contact the factory to see if a driver already exists for the external instrument needed to augment the Reedholm instrumentation.



Specifications and models are subject to change without notice. Acquire, ChargeScope, EMAGE, EMPAC, EMREL, and GrafPAC are trademarks of Reedholm Systems, Co. All other company and/or product names are trademarks and registered trademarks of their respective companies. Copyright © 2019 Reedholm Systems, Co.